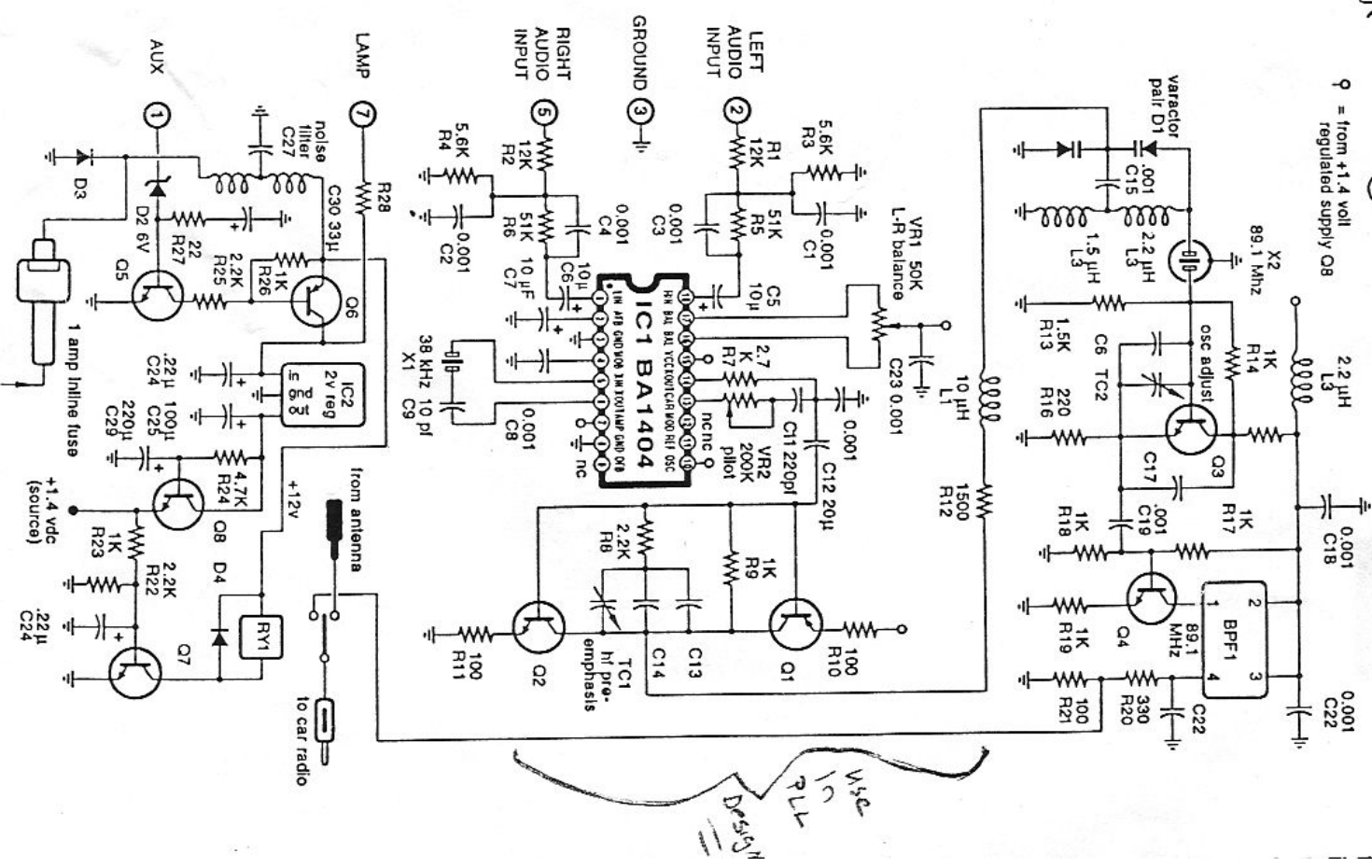


FIG. 2—THE HEART OF THE FM TRANSMITTER is a BA1404 FM stereo transmitter IC. The left input-signal level is adjusted via R1, pre-emphasis is provided by C1 and R3.



*Cable Tester*

*W5C  
PLC  
Design*