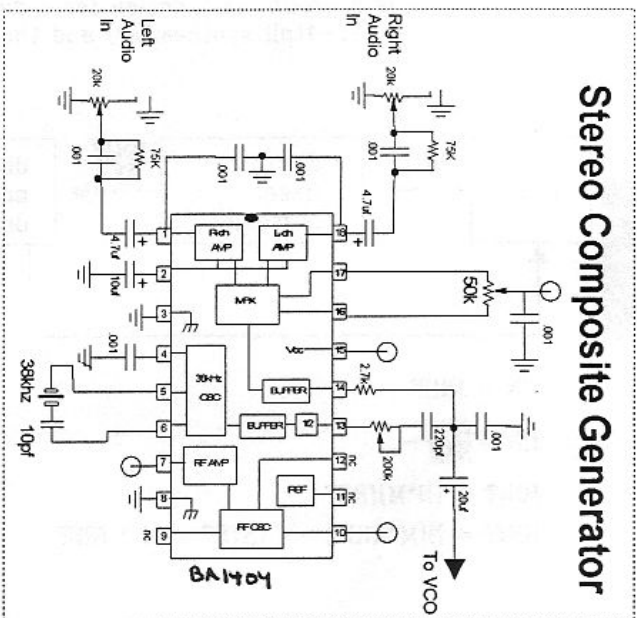
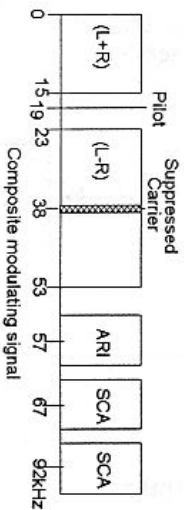


# Stereo Composite Generator



Frequency Synthesized  
Stereo Transmitter  
By mycal@netacsys.com



Loop filter must be powered by at least +8v, but preferably +12v  
This give a larger voltage output range so we can tune the whole  
FM band. Powering with +5v probably won't cut it  
Voltage need not be regulated for loop filter.

# Loop Filter

