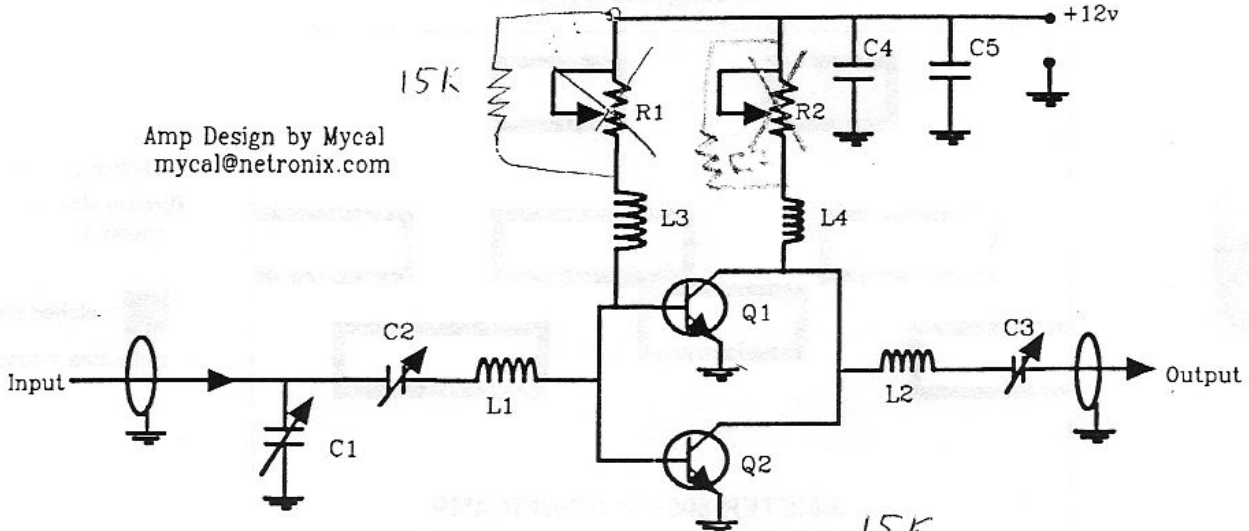


350mw Amp

Can be driven directly by ramsey FM-10

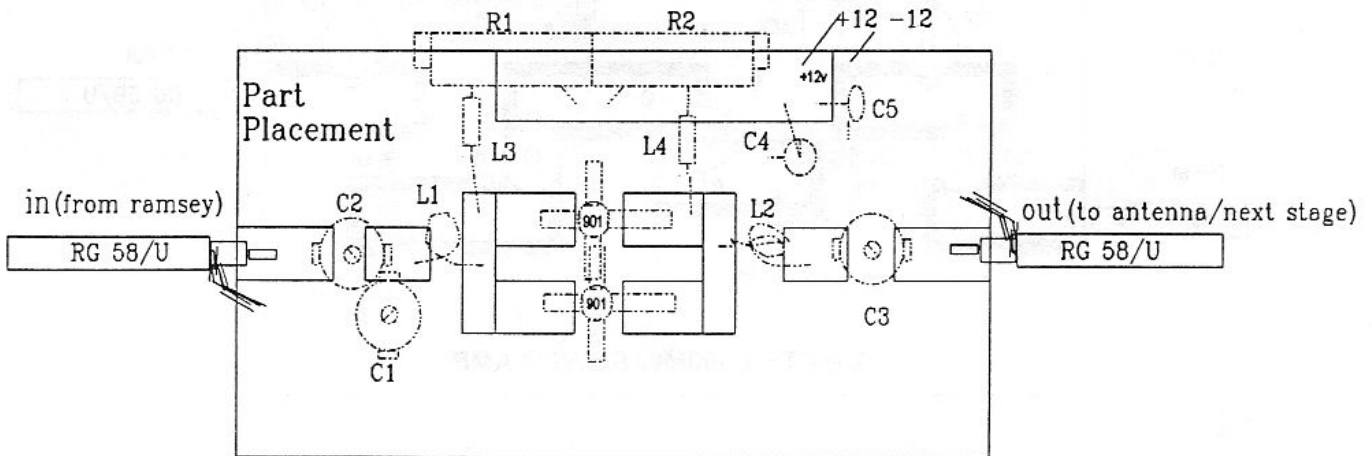
Amp Design by Mycal
mycal@netronix.com



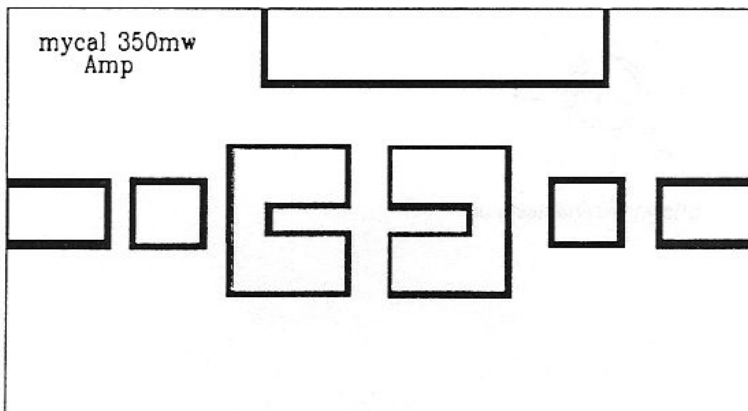
- | | | |
|----------------------|-------------------------------------|--|
| C1, C2, C3 - 15-60pf | L1 - 1 turn #18 1/2" I.D. | R1 - 20K Ohm Adjustable (Radio Shack 20-turn) |
| C4 - 0.1uf | L2 - 3 turn #18 1/2" I.D. 1/2" Long | R2 - 500 Ohm Adjustable (Radio Shack 20-turn) 10 ohm |
| C5 - 1000pf | L3, L4 - 1uh Molded Choke | Q1, Q2 - MRF-901 |

Alignment and setup -

- Adjust R1 to 15k Ohms/
- Adjust R2 to 100 Ohms
- Connect 50 Ohm Dummy Load to the output with RG-58, can be run through meter first
- apply 12v and drive to input (5-15mw, you can use the FM-10)
- Adjust C1, C2, C3, and R1 for max out.
- R2 can now be adjusted to 0 for max output
- If you are using this stage as a driver, Do not run R2 at 0 ohms, and watch current carefully, do not let to current flow into Q1 and Q2 on the collector side or the 901's will lose there smoke. I wouldn't go over 75ma.



PCB Layout - Actual Size



this means
copper has been
taken away

