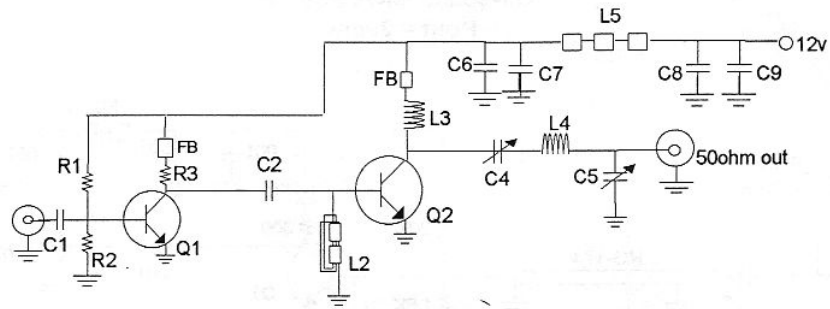


## Improved 800mw Output Amplifier for the FM-10



- |                                |  |
|--------------------------------|--|
| R1 - 20K                       | Q1 - mps918 -or- mps901                      |
| R2 - 1.5K                      | Q2 - 2n4427 -or- 2n3866                      |
| R3 - 300 ohm with ferrite bead | L2 - 2 turns #26 enamel through 2 FB101-43's |
| C1, C2, C6, C8 - 1000pf        | L3 - .68uh moulded choke w/FB101-43          |
| C7, C9 - .01                   | L4 - 6 1/2 turns of #18 3/8" diam 1/2" long  |
| C4, C5 - 4-65pf                | L5 - 3 FB101-43's on 1" wire                 |
| Slip on heat sink for Q2       |  |

Will put out 1.4 watts with mps901/2n4427 combo  
600mw with mps918/2n3866  
In between for other combinations

