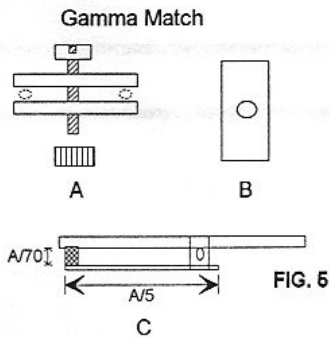
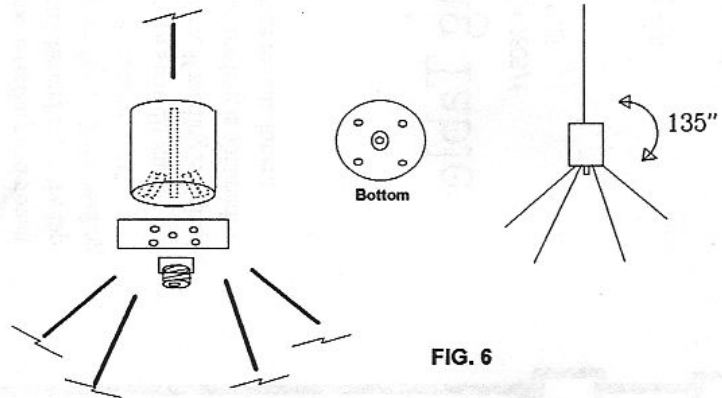
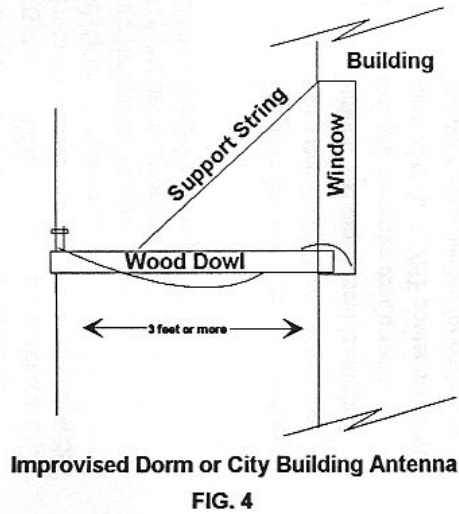
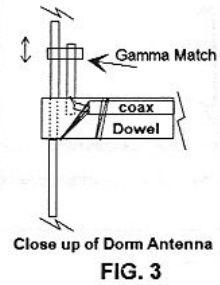
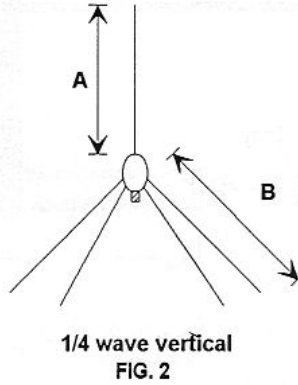
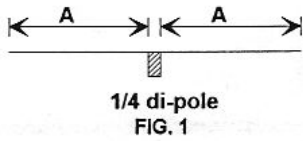


# Antennas



$A = 234 / \text{Frequency in Mhz}$   
 $B = 240 / \text{Frequency in Mhz}$

Element Cutting Chart		
Freq. in Mhz	A	B
87.9	2.66ft	2.73ft
89.1	2.63ft	2.69ft
90.5	2.59ft	2.65ft
91.9	2.55ft	2.61ft
93.3	2.51ft	2.57ft
95.9	2.44ft	2.50ft
97.5	2.40ft	2.46ft
99.5	2.35ft	2.41ft
101.5	2.30ft	2.36ft
103.5	2.26ft	2.30ft
105.5	2.21ft	2.27ft
106.1	2.20ft	2.26ft
107.1	2.18ft	2.24ft

FIG. 7

