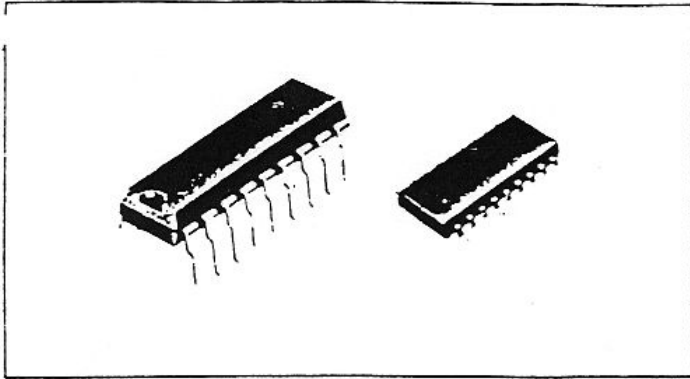


Stereo Transmitters
BA1404 BA1404F



The BA1404 and BA1404F are monolithic FM stereo transmitters. The devices contain a stereo modulator, an FM modulator, and an RF amplifier. The stereo modulator creates a stereo composite signal (which consists of a main (L+R), sub (L-R), and pilot signals) from a 38 kHz quartz controlled frequency.

The FM modulator oscillates a carrier in the FM broadcast band (76 to 108 MHz) and modulates it with the composite signal.

The RF amplifier creates energy to emit the modulated FM signal. It also functions as a buffer for the FM modulator.

Features

1. Low-voltage, low-power design.
2. Stereo modulator, FM modulator, and transmitter implemented on a single chip.
3. Few external components required.
4. High separation (45 dB typ.).

Applications

FM stereo transmitters
 Wireless microphones

**NOTE: VCC 1.5 TO 3
 VOLTS
 MORE THAN 3.5 V MAY
 BURN UP THE IC**

Dimensions (Unit: mm)

BA1404

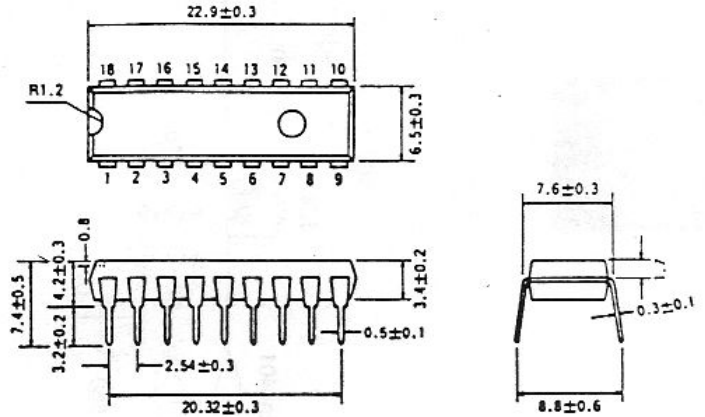


Fig. 1

BA1404F

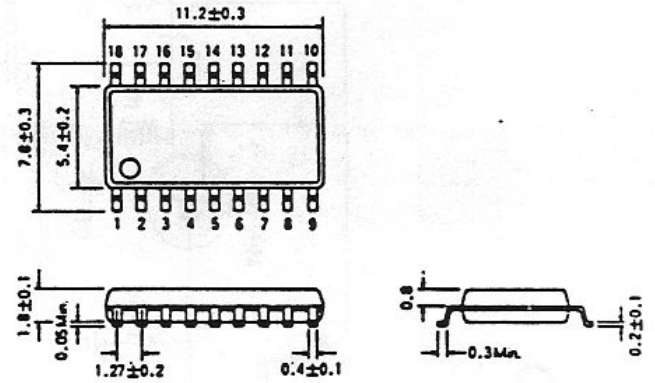


Fig. 2

Block Diagram

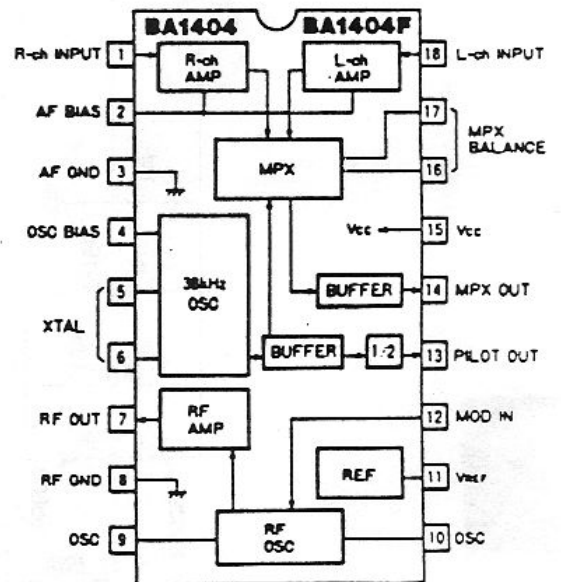


Fig. 3